

CATALOGUE



## Additional Products for CF-IRMS

To be used in conjunction with our main CHNOS Analysis catalogue



# Ordering Information

We are happy to accept orders by any of the following methods:

**Phone:** +44 (0)1837 54446

**Fax:** +44 (0)1837 54544

**E-mail:** [info@microanalysis.co.uk](mailto:info@microanalysis.co.uk)

**Mail:** Elemental Microanalysis Ltd  
1 Hameldown Road  
Okehampton Business Park  
Okehampton  
Devon EX20 1UB  
United Kingdom

We can invoice you in Sterling, Euro or US Dollar and accept Visa, Mastercard and American Express, account facilities are readily available for regular customers, please enquire.

## Shipping worldwide

We regularly ship directly to customers in all parts of the world. Local dealers are available in many countries: contact us for details.



Available locally from:

## Other literature available from Elemental Microanalysis

In addition to this catalogue a range of other catalogues and product sheets are available:

### Catalogues

We publish catalogues covering the following areas of elemental analysis:

- Organic Elemental (CHN/O/S)
- Nitrogen/Protein
- Inorganic
- Carbon/Sulphur
- IRMS



### Product sheets

Product sheets are available for every instrument we support. These cover all the common day-to-day items required to run your instrument. These sheets are laminated to help them survive in the lab environment.



### Contract analysis service

We also offer a contract analysis service for a variety of (mainly) organic compounds. Full details are in this brochure.



All literature is available using the 'fax-back' form on the rear cover of this catalogue or can be downloaded from our website.

## 2 Introduction

---

### Configuration Guide

- 4 Eurovector EA-3028HT/EuroPyr
  - 5 Hekatech HT-O  
ThermoFinnigan TC/EA
  - 6 ThermoFinnigan TC/EA Modified Lower Fitting  
Consumables and Kits
  - 7 Europa
- 

## 9 Europa Glassware and O-rings

- 10 GC Combustion/Pyrolysis  
Equilibration Reagents and Sundries
- 11 Isotope Reference Materials  
Nafion Dryers®
- 12 Preparation System Vials and Seals

Faxback form

This additional brochure contains extra configurations and products that are specific to CF and EA-IRMS applications.

All other consumables and products such as reagents, capsules, glassware etc that can be used in both EA and EA-IRMS applications can be found in our main Organic Elemental CHN/O/S catalogue.

## About the Company

Elemental Microanalysis grew from small beginnings almost 30 years ago as a micro-analytical laboratory to its current form as a leading manufacturer and supplier of consumables, supplies and other products for Elemental Analysers. We operate from our purpose-built factory and laboratory complex in Devon UK.

You learn a lot in 30 years - a lot about your products - how to make them and how to use them, a lot about your customers and their needs. We have been developing, refining and using products for elemental analysis since 1976 and have a unique in-depth knowledge of instruments from all manufacturers.

These days we offer the world's largest range of products for elemental analysers sending our products to customers across the globe.

We take great care with the quality of our products. The vast majority are manufactured in-house by our trained technicians within our ISO 9001:2000 accredited quality system. But we don't just make the products - we use them every day in our own analytical laboratory giving

us constant feedback on their performance. We do not compromise on quality and don't expect you to either. Our total satisfaction guarantee backs up our commitment to our product quality.

'Price is what you pay, value is what you get'. As the leading independent supplier of elemental analysis consumables you can achieve substantial savings in comparison to the prices charged by the original supplier of your instrument. But we know that you need more from a supplier than simply low prices. You need to buy with the confidence that your analysis will not be compromised by poor quality consumables and the knowledge that your supplier has all the resources to provide the full range of support that you expect.

We will always treat our customers with honesty and integrity. If we do make a mistake we don't try to hide it - we recognise it and put it right. We won't sell you short measure and we won't mislead you in any way. Our business is built on long-term relationships as our customers will testify - many have been with us for more than 20 years.







# Configuration Guide

## EA-IRMS Analysis

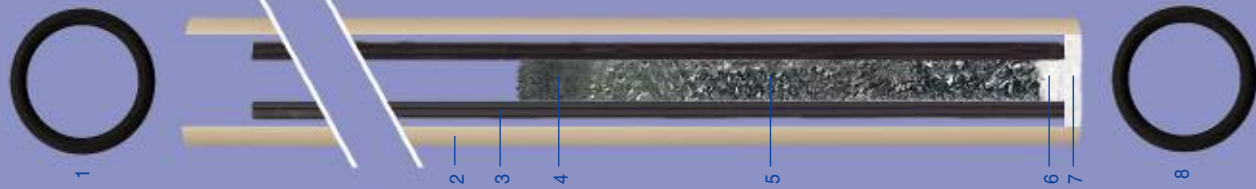
Note: See CHNOS catalogue for other EA configurations

## OXYGEN

## HYDROGEN

## H IN LIQUIDS USING CHROME CATALYST

Key			
Product	Eurovector no	Cat no	
1	O-ring for ceramic reactor	E13538	E1506
2	Ceramic Outer, 17mm	E12507	C1102
3	Glassy Carbon Tube	E12529	C7004
4	Nickelated Carbon	E10145	B1162
5	Glassy Carbon Chips	E10521	C7003
6	Quartz Wool	E10514	B1017
7	Quartz Wool	E10514	B1017
8	O-ring, 17mm, bottom quick fit	E13539	E1507



High Temperature  
Pyrolysis

Key			
Product	Eurovector no	Cat no	
1	O-ring for ceramic reactor	E13538	E1506
2	Ceramic Outer, 17mm	E12507	C1102
3	Glassy Carbon Tube	E12529	C7004
4	Glassy Carbon Chips	140mm	C7003
5	Quartz Wool	20mm	E10521
6	Quartz Wool	20mm	E10514
7	O-ring, 17mm, bottom quick fit	E13539	E1507



High Temperature  
Pyrolysis

Key			
Product	Oxy	Eurovector no	Cat no
1	O-ring, 19mm	E13536	E1504
2	Modified Quartz Reactor	E12512	C1056
3	Chrome Catalyst (Max-Chrome)	90mm	E10103
4	Quartz Wool	10mm	B1450
5	O-ring, 6mm, bottom quick fit	E10514	B1017
		E13540	E1508



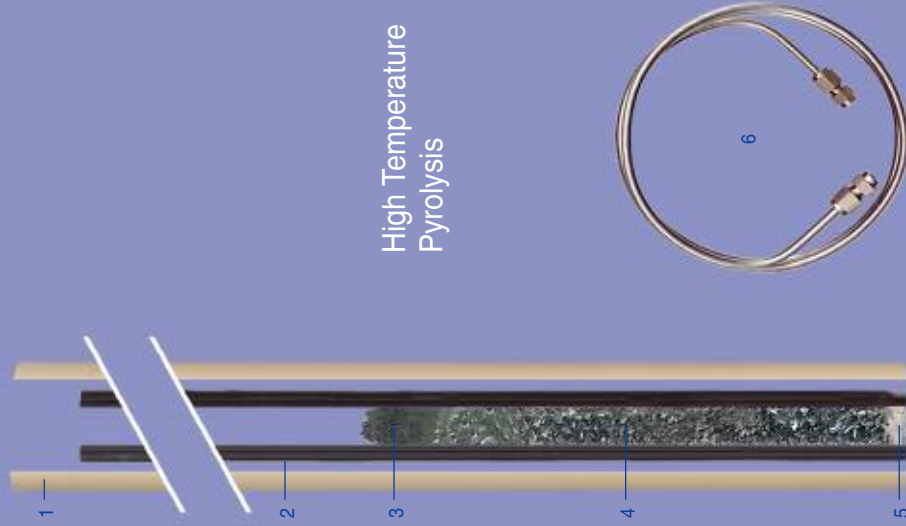
## GC COLUMNS



Product	Eurovector no	Cat no
GC Column, 1m Stainless Steel	E11520	E3001
GC Column, 1.5m Stainless Steel	E11521	E3009

## HEKATECH HT-0

Product	Qty	Hekatech no	Cat no
1 Ceramic Reactor		HE 468110	C1103
2 Glassy Carbon Tube		HE 46860100	C7004
3 Nickelised Carbon	10mm	HE 33823800	B1182
4 Glassy Carbon Chips	135mm	HE 33823850	C7003
5 Nickel Wool	5mm	HE 3382500	B1007
6 GC Column, 1m Stainless Steel		HE 26007900	E3001

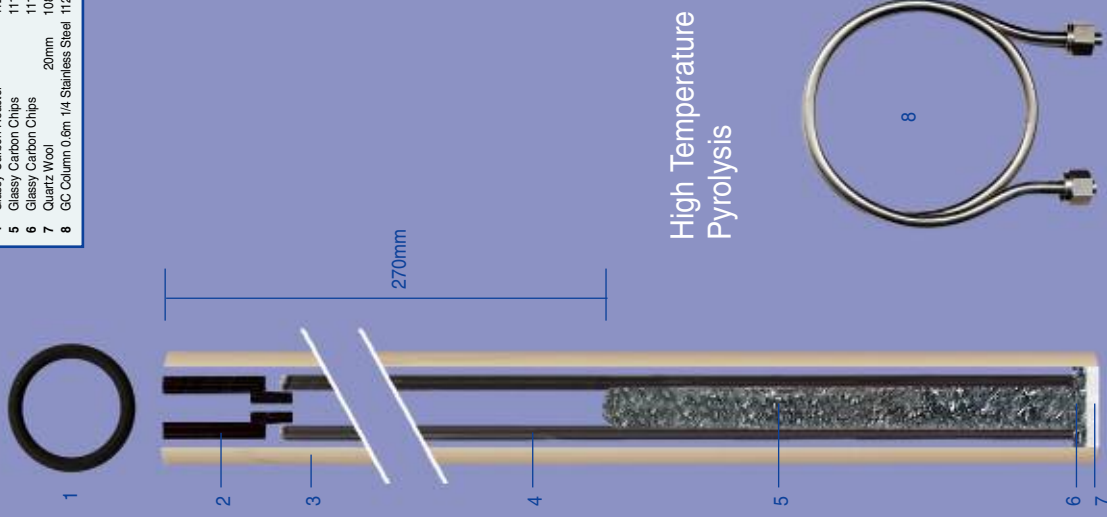


High Temperature  
Pyrolysis

6

## LIQUID SAMPLES

Product	Qty	ThermoF. no	Cat no
1 O-ring, Viton		1121120	E6053
2 Graphite Tube		1132080	C7011
3 Ceramic Tube		1121320	C1101
4 Glassy Carbon Reactor		1121310	C7001
5 Glassy Carbon Chips		1117400	C7002
6 Glassy Carbon Chips		1117400	C7002
7 Quartz Wool	20mm	1087770	B1017
8 GC Column 0.6m 1/4 Stainless Steel		1121030	E3035

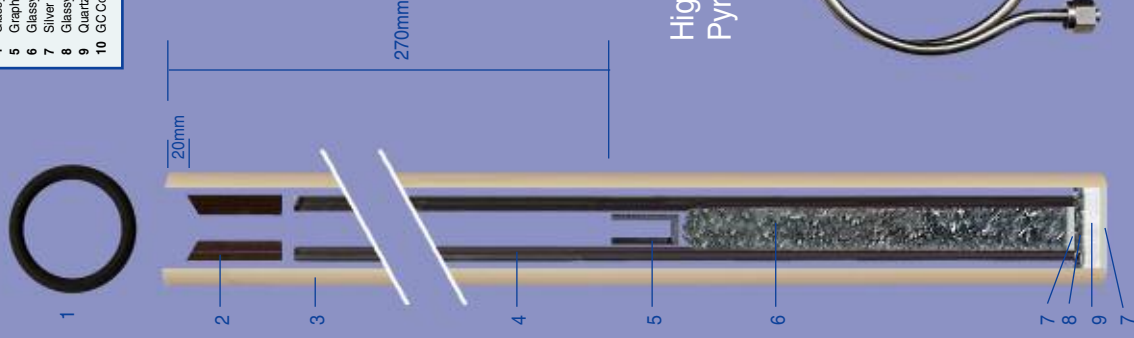


High Temperature  
Pyrolysis

8

## SOLID SAMPLES

Product	Qty	ThermoF. no	Cat no
1 O-ring, Viton		1121120	E6053
2 Graphite Tube		1121951	C7010
3 Ceramic Tube		1121320	C1101
4 Glassy Carbon Reactor		1121310	C7001
5 Graphite Crucible		1117332	C7012
6 Glassy Carbon Chips		1117400	C7002
7 Silver Wool	5mm	1117480	B1119
8 Glassy Carbon Chips		1117400	C7002
9 Quartz Wool	20mm	1087770	B1017
10 GC Column 0.6m 1/4 Stainless Steel		1121030	E3035



High Temperature  
Pyrolysis

10



Modified Lower Fitting

TC/EA Spares

Product	Thermo No.	Cat no.
Replacement TC/EA Furnace Element	35450010	E4406
Furnace Repair*		E4407

\*Furnace repair - a faulty furnace may be sent to Elemental Microanalysis for examination with a new element and/or thermocouple fitted if required.

Modified Lower Fitting for Improved Analysis of Waters

The adapter channels the helium flow up between the ceramic outer and down through the centre of the glassy carbon tube ensuring all water vapour is swept down into the reactive zone. Use of this fitting requires a different length glassy carbon inner from standard (see below).

Product	Part no.
Adapter	E4405
O-ring	E6054 (pack of 2)
Glassy carbon tube 12 x 9 x 453	C7007



Consumables and Kits

Glassy Carbon Chips C7003



Nickel Wool B1007



Product	Pack	Cat.no.
Glassy carbon tube 12 x 7 x 356	1	C7001
Glassy carbon tube 12 x 9 x 453 for use with E4405	1	C7007
Glassy carbon tube 12 x 7 x 450 (one end closed with 2mm central hole)	1	C7005
Glassy carbon tube 12 x 9 x 400	1	C7004
Glassy carbon chips (splinter powder) 3-4mm	25g	C7002
Glassy carbon chips (splinter powder) 2-3mm	25g	C7003
Graphite crucible 4.5 x 3.5 x 30mm	1	C7012
Quartz wool (very pure, very fine)	5g	B1017
Quartz wool (very pure, very fine)	10g	B1208
Quartz wool (very pure, very fine)	50g	B1102
Nickel wool	2g	B1007
Silver wool	10g	B1119
Chrome catalyst (fine powder)	100g	B1450
Chrome catalyst (fine powder)	25g	B1451
Nickelised Carbon 30% Ni, granular 0.3-0.85mm	5g	B1086
Nickelised Carbon 40% Ni, granular 0.3-0.85mm	5g	B1087
Nickelised Carbon 50% Ni, granular 0.3-0.85mm	5g	B1181
Nickelised Carbon 30% Ni, granular 0.85-1.7mm	5g	B1088
Nickelised Carbon 40% Ni, granular 0.85-1.7mm	5g	B1106
Nickelised Carbon 50% Ni, granular 0.85-1.7mm	5g	B1182

Graphite Crucible C7012



Glassy Carbon Tube



Nickelised Carbon B1181

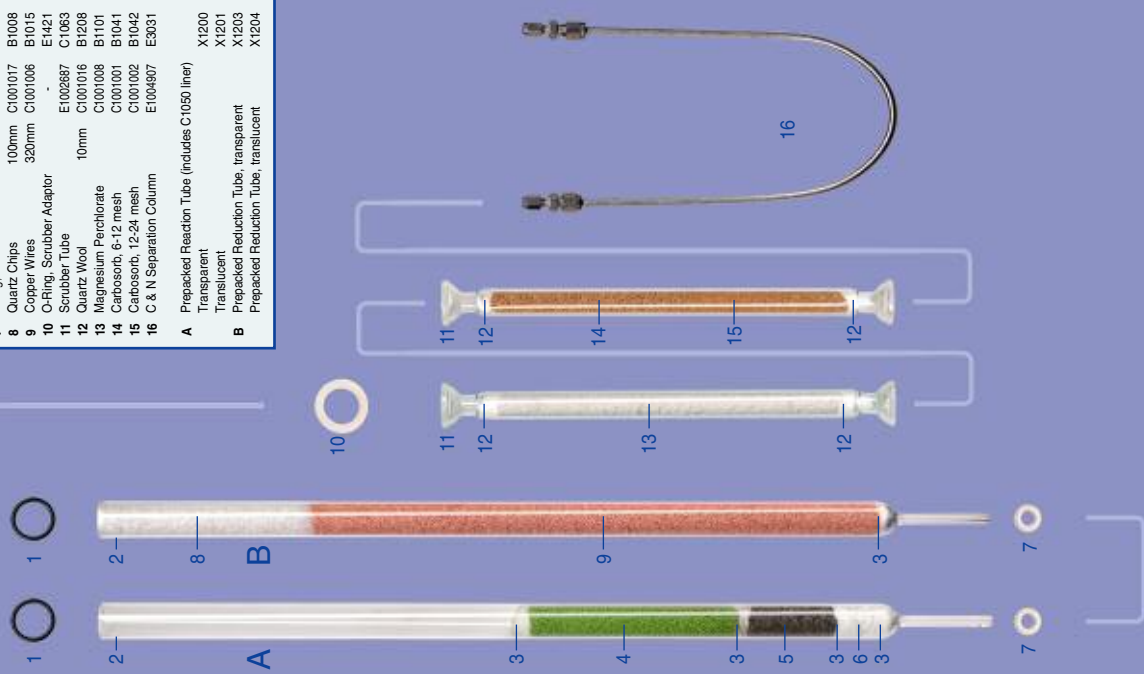
Spares Kits for IsoPrime™ Elemental Analyser Modules

Product	OEM	Cat.no.
EA-CN 1000 analysis kit	6063056	X3250
EA-O and/or H for solid samples (High temperature) 1000 analyses	6062979	X3251
EA-Sulphur 1000 analysis kit	6062974	X3252
EA-Hydrogen kit for liquid samples (low temperature)	6062977	X3253
EA-Oxygen kit for liquid samples (High temperature)	6062978	X3254



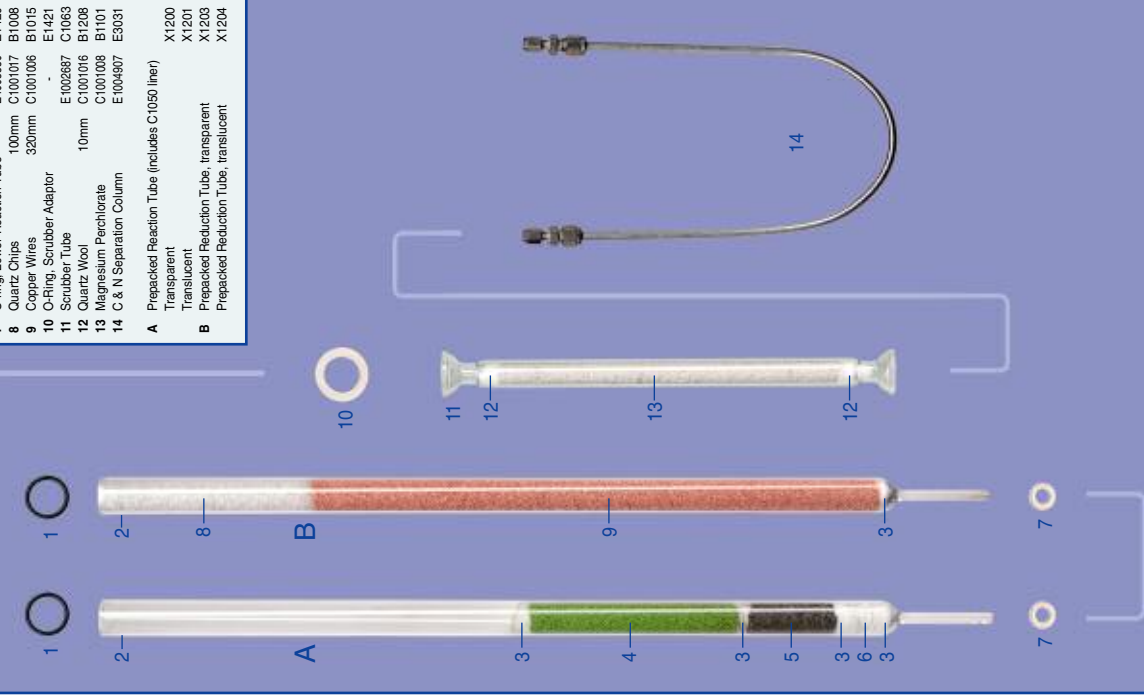
## N DETERMINATION

Product	Qty	Europa no	Cat no
1 O-Ring, Upper Reaction Tube		C100102	E1004
2 Reaction Tube, clear		C100102	C1040
3 Quartz Wool	5mm	C100106	B1208
4 Chromium Oxide	110mm	C100104	B1004
5 Copper Oxide Wires	40mm	C100107	B1002
6 Silver Wool	20mm	C100108	B1119
7 O-ring, Lower Reaction Tube	100mm	E100550	E1420
8 Quartz Chips	320mm	C100106	B1015
9 Copper Wires		C100107	B1008
10 O-Ring, Scrubber Adaptor		C100106	E1421
11 Scrubber Tube		E100287	C1063
12 Quartz Wool	10mm	C100106	B1208
13 Magnesium Perchlorate		C100108	B1101
14 Carbosorb, 6-12 mesh		C100101	B1041
15 Carbosorb, 12-24 mesh		C100102	B1042
16 C & N Separation Column		E1004907	E3031
<b>A</b> Prepacked Reaction Tube (includes C1050 liner)			X1200 Transparent X1201 Translucent
<b>B</b> Prepacked Reduction Tube, transparent			X1203
Prepacked Reduction Tube, translucent			X1204



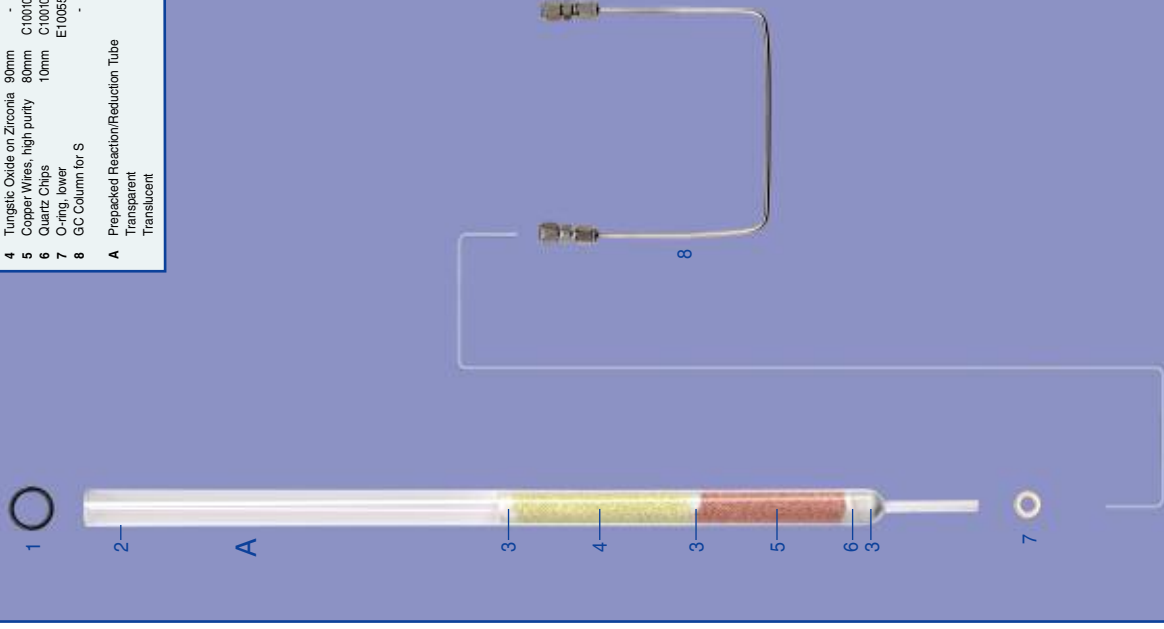
## N & C DETERMINATION

Product	Qty	Europa no	Cat no
1 O-Ring, Upper Reaction Tube		C100102	E1004
2 Reaction Tube, clear		C100102	C1040
3 Quartz Wool	5mm	C100106	B1208
4 Chromium Oxide	110mm	C100104	B1004
5 Copper Oxide Wires	40mm	C100107	B1002
6 Silver Wool	20mm	C100108	B1119
7 O-ring, Lower Reaction Tube	100mm	E100550	E1420
8 Quartz Chips	320mm	C100106	B1015
9 Copper Wires		C100107	B1008
10 O-Ring, Scrubber Adaptor		C100106	E1421
11 Scrubber Tube		E100287	C1063
12 Quartz Wool	10mm	C100106	B1208
13 Magnesium Perchlorate		C100108	B1101
14 C & N Separation Column		E1004907	E3031
<b>A</b> Prepacked Reaction Tube (includes C1050 liner)			X1200 Transparent X1201 Translucent
<b>B</b> Prepacked Reduction Tube, transparent			X1203
Prepacked Reduction Tube, translucent			X1204



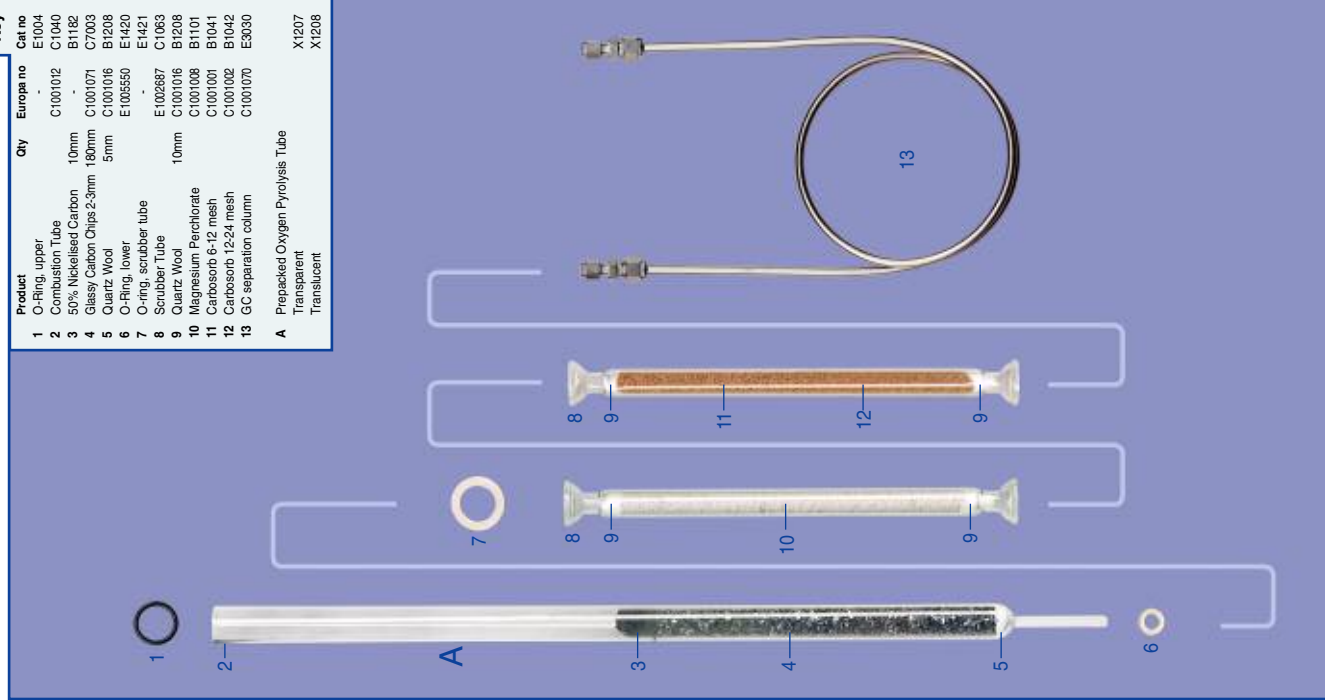
## S DETERMINATION

Product	Qty	Europa no	Cat no
1 O-ring, upper		E100551	E1004
2 Reaction Tube		C100102	C1040
3 Quartz Wool	5mm	C100106	B1208
4 Tungstic Oxide on Zirconia	90mm	-	B1082
5 Copper Wires, high purity	80mm	C100104	B1035
6 Quartz Chips	10mm	C100107	B1008
7 O-ring, lower		E100550	E1420
8 GC Column for S		-	E3032
<b>A</b> Prepacked Reaction/Reduction Tube			X1205 Transparent X1206 Translucent



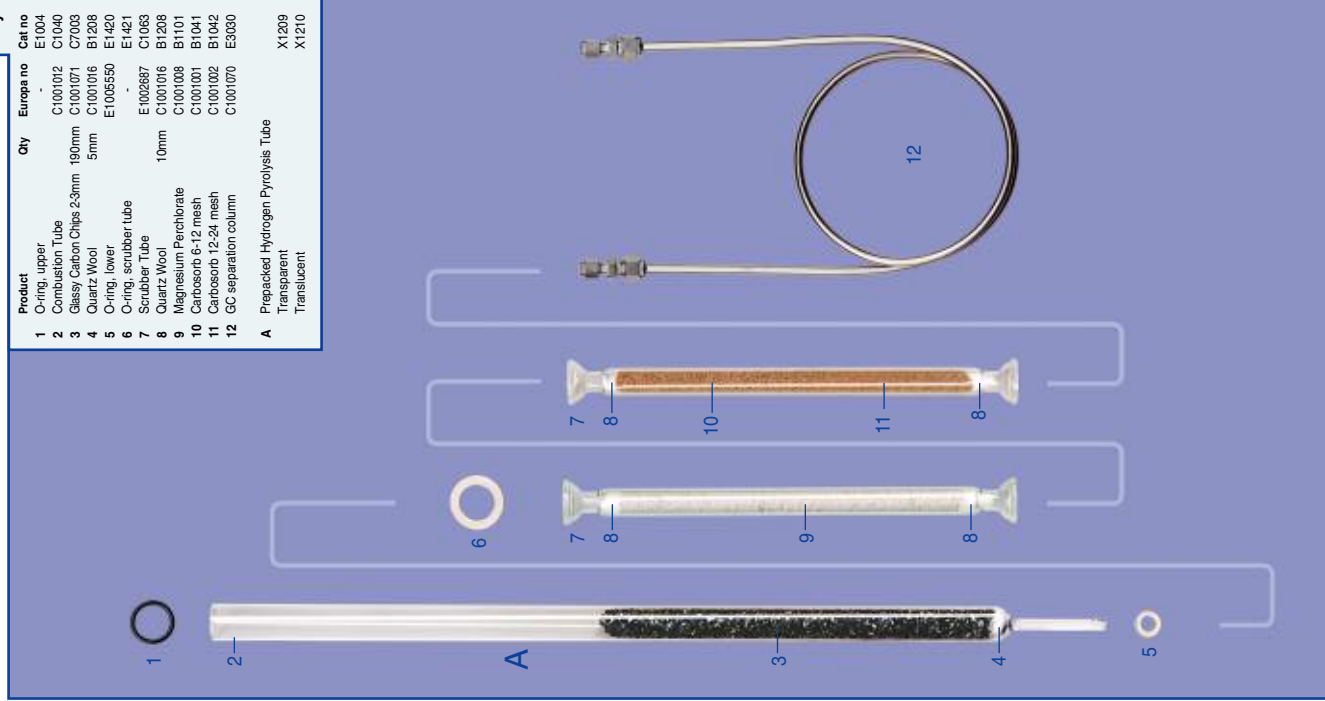
**O PYROLYSIS**

Product		Key	
1	2	Qty	Cat no
O-Ring, upper	Combustion Tube	10mm	E1004
50% Nickelised Carbon	Glassy Carbon Chips 2-3mm	180mm	C1040
Quartz Wool	Quartz Wool	5mm	B1182
O-Ring, lower	O-Ring, upper	10mm	C1040
Scrubber Tube	Combustion Tube	180mm	B1182
Quartz Wool	Glassy Carbon Chips 2-3mm	180mm	C7003
O-Ring, upper	Quartz Wool	5mm	B1208
Scrubber Tube	O-Ring, lower	10mm	E1420
Quartz Wool	Scrubber Tube	10mm	E1421
Magnesium Perchlorate	Quartz Wool	10mm	C1063
Carbosorb 6-12 mesh	Magnesium Perchlorate	10mm	B1208
Carbosorb 12-24 mesh	Carbosorb 6-12 mesh	10mm	B1101
GC separation column	Carbosorb 12-24 mesh	10mm	B1041
	GC separation column	10mm	B1042
			E3030
<b>A</b> Prepacked Oxygen Pyrolysis Tube			X1207
Transparent			X1208
Translucent			



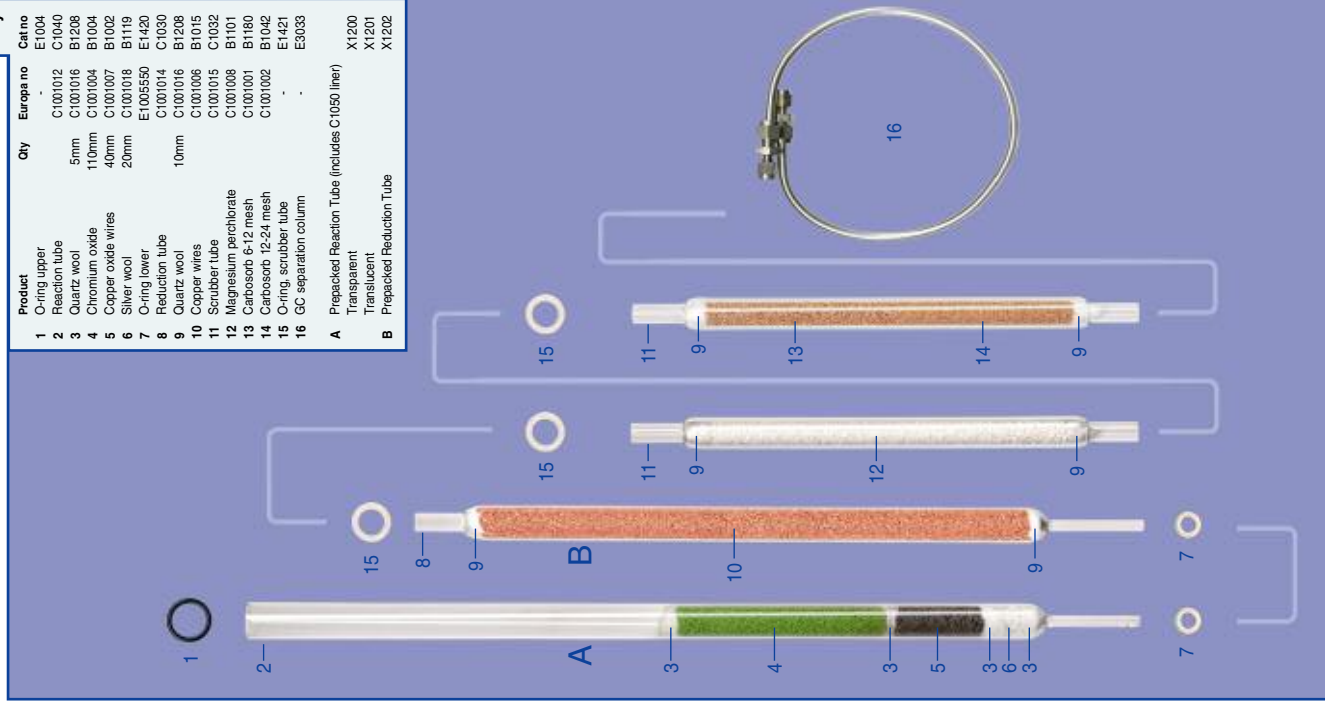
**H PYROLYSIS**

Product		Key	
1	2	Qty	Cat no
O-ring, upper	Combustion Tube	190mm	E1004
Glassy Carbon Chips 2-3mm	Glassy Carbon Chips 2-3mm	5mm	C1040
Quartz Wool	Quartz Wool	5mm	C7003
O-ring, lower	O-ring, upper	190mm	B1208
Scrubber Tube	Combustion Tube	190mm	E1420
Quartz Wool	Scrubber Tube	10mm	E1421
Magnesium Perchlorate	Quartz Wool	10mm	C1063
Carbosorb 6-12 mesh	Magnesium Perchlorate	10mm	B1208
Carbosorb 12-24 mesh	Carbosorb 6-12 mesh	10mm	B1101
GC separation column	Carbosorb 12-24 mesh	10mm	B1041
	GC separation column	10mm	B1042
			E3030
<b>A</b> Prepacked Hydrogen Pyrolysis Tube			X1209
Transparent			X1210
Translucent			



**EUROPA ROBOPREP CN**

Product		Key	
1	2	Qty	Cat no
O-ring, upper	Reaction tube	5mm	E1004
Quartz wool	Reaction tube	110mm	C1040
Chromium oxide	Quartz wool	40mm	B1208
Copper oxide wires	Chromium oxide	20mm	B1004
Silver wool	Copper oxide wires	20mm	B1002
O-ring, lower	Silver wool	10mm	B1119
Reduction tube	O-ring, lower	10mm	E1420
Quartz wool	Reduction tube	10mm	C1030
Copper wires	Quartz wool	10mm	B1208
Scrubber tube	Copper wires	10mm	B1015
Magnesium perchlorate	Scrubber tube	10mm	C1032
Carbosorb 6-12 mesh	Magnesium perchlorate	10mm	B1101
Carbosorb 12-24 mesh	Carbosorb 6-12 mesh	10mm	B1180
O-ring, scrubber tube	Carbosorb 12-24 mesh	10mm	B1042
O-ring, scrubber tube	O-ring, scrubber tube	10mm	E1421
GC separation column	O-ring, scrubber tube	10mm	E3033
<b>A</b> Prepacked Reaction Tube (includes C1050 liner)			X1200
Transparent			X1201
Prepacked Reduction Tube			X1202



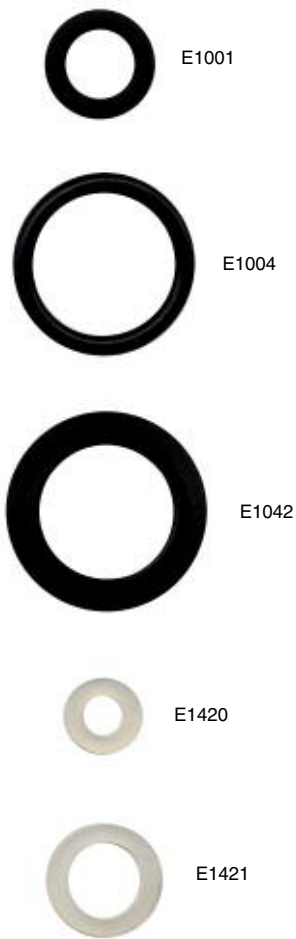
## Europa O-rings

Product	Pack	OEM	Cat no
O-ring Viton	10		E1001
O-ring Nitrile	10		E1004
Seal Viton Chamfered Square Profile	5		E1042
O-ring	1	E1005669	E1420
O-ring	1	E1002684	E1421

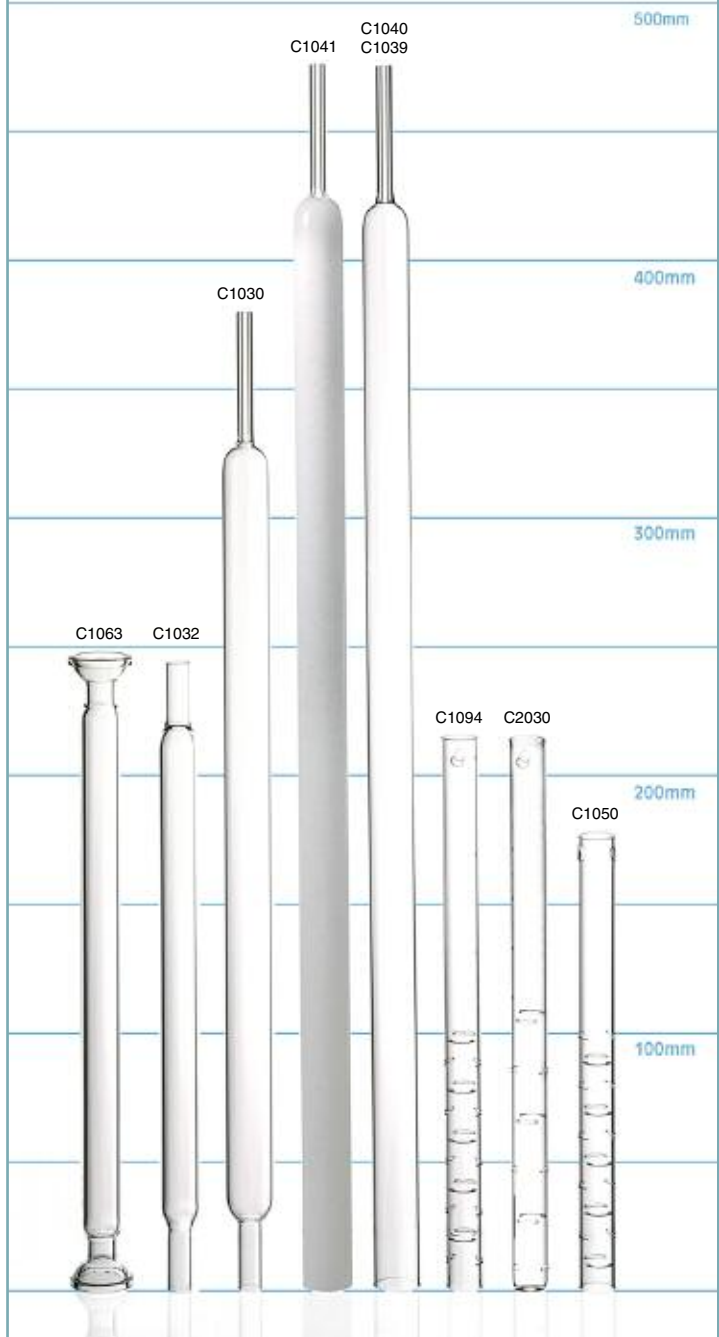
## Europa Glassware

Description	Pack	OEM	Cat no.
Reduction Tube	1	C1001014	C1030
Scrubber	1	C1001015	C1032
Reaction/Reduction Tube, transparent	1	C1001012	C1040
Reaction/Reduction Tube, translucent	1	C1001013	C1041
Reaction/Reduction Tube, transparent, heavy wall	1	-	C1039
Sleeve insert 180mm (Open both ends)	1	C1001048	C1050
Scrubber	1	E1002687	C1063
Sleeve insert 220mm (Open both ends)	1		C1094
Sleeve insert 220mm (Closed one end)	1		C2030

O-rings shown actual size



Pre-packed tubes for this instrument are available - please see configuration guide for details.



## GC Combustion/Pyrolysis

### Furnace Reaction Tubes

#### Ceramic

Length	OD	ID	Cat no	Application
630mm	6mm	0.7mm	C1110	GVI
600mm	3mm	0.5mm	C1111	Thermo/GVI
400mm	1.6mm	0.8mm	C1112	Europa/PDZ
300mm	1.55mm	0.6mm	C1077	Europa/Thermo

#### Quartz

Length	OD	ID	Cat no	Application
630mm	6mm	0.7mm	C1115	GVI
220mm	6mm	1.0mm	C1075	Europa/PDZ
300mm	6mm	1.0mm	C1076	Europa

Note: quartz and ceramic tubes can be supplied in different lengths.  
Please contact us with your requirements.

### Packing Materials

Product		Pack size	Cat no
Copper Oxide Wires	1% Pt 1%NiO	5g	B1149
Copper Oxide Wires	3% Pt 1%NiO	5g	B1151
Copper Wire	0.125mm diameter	10m	D9101
Platinum Wire	0.125mm diameter	1m	D9100
Nickel Wire	0.125mm diameter	10m	D9102
Copper Granules, fine	0.05-0.2mm	100g	B1108

### Prepacked GC Reaction Tubes

Length	OD	ID	Material	Packing	Cat no
600mm	3mm	0.5mm	Ceramic	Cu and Pt wires	X1500
400mm	1.6mm	0.8mm	Ceramic	Cu wires	X1501
400mm	1.6mm	0.8mm	Ceramic	Cu and Pt wires	X1502
400mm	1.6mm	0.8mm	Ceramic	Ni wires	X1503
630mm	6mm	0.7mm	Quartz	Copper Oxide wires 1% Pt, 1% NiO	X1504

Note: many combinations of wire types, numbers of strands etc. are possible.  
Please contact us with your Prepacked GC Reaction Tube requirements.

Ceramic  
Tube



Quartz Tube  
C1076



## Equilibration Reagents and Sundries

Product	Pack	Cat no
Platinum Catalysts sticks for HD equilibration	50 sticks	B1452
5% Pt on Alumina -325 mesh powder	10g	B1453
Tapered glass inserts	1000	E2800



# Isotope Reference Materials



Isotope Reference Materials from Elemental Microanalysis are traceable to primary standards issued by IAEA Vienna.

These materials are supplied with Certificates of Analysis.

Values shown are indicative and may vary slightly from batch to batch.

Actual values shown on certificate.



## Reference Materials (RM)

Cat no	Standard	Pack	%C	δC <sup>13</sup>	%N	δN <sup>15</sup>	%S	δS <sup>34</sup>
B2151	Sediment	5g	6.5	-26	0.5	+4	0.9	+4
B2153	Soil	5g	1.5	-27	0.15	+7	0.03	+5
B2155	Protein (Casein)	5g	47	-27	14	+6	0.9	+6
B2157	Wheat Flour	5g	40	-27	1.5	+3	0.1	-1
B2159	Sorghum Flour	5g	42	-14	1.5	+2	0.1	+10

## Uncertified Working Reference Materials

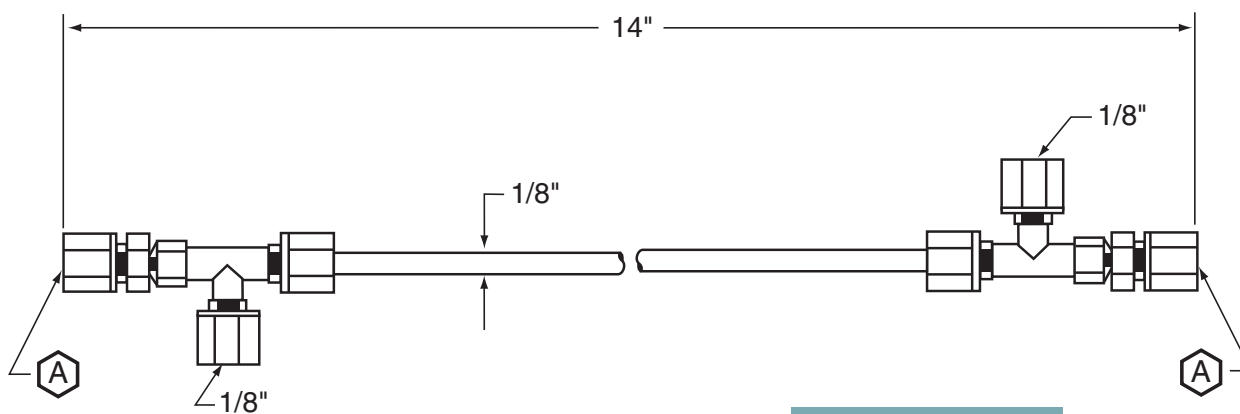
Cat no	Standard	Pack	δC <sup>13</sup>	δN <sup>15</sup>
B2172	Olive Oil	5g	-28.5	-
B2174	Urea	5g	-45	-0.8

# Nafion Dryers®

Nafion® water removal dryers can be supplied as complete units or replacement inner elements.

Dryers and elements are supplied with 0.05" OD, 0.04" ID Nafion® tubing.

## Dimensions



## Complete Dryer

Product	Cat no
Stainless steel body, 1/8" end fittings (A)	E2810
Stainless steel body, 1/16" end fittings (A)	E2811
Fluoropolymer body, 1/8" end fittings (A)	E2812
Polypropylene body, 1/8" end fittings (A)	E2813

## Replacement Inner Elements

Product	Cat no
Elements, 12" long, 0.05" OD tubing, flanged end pieces	
Polypropylene ends	E2820
Fluoropolymer ends	E2821
Stainless steel ends	E2822

Description	Part No
<b>4.5ml Borosilicate Vial - round bottomed, 46 x 15.5mm</b>	
<b>Pack of 1000</b>	
Non-evacuated, unlabelled, seal + white cap	E2830
Evacuated, unlabelled, seal + white cap	E2831
Non-evacuated, labelled, seal + white cap	E2832
Evacuated, labelled, seal + white cap	E2833
<b>5.9ml Soda Glass Vial - flat bottomed, 55 x 15.5mm</b>	
<b>Pack of 1000</b>	
Non-evacuated, unlabelled, seal + white cap	E2840
Evacuated, unlabelled, seal + white cap	E2841
Non-evacuated, labelled, seal + white cap	E2842
Evacuated, labelled, seal + white cap	E2843
<b>12ml Soda Glass Vial - flat bottomed, 101 x 15.5mm</b>	
<b>Pack of 1000</b>	
Non-evacuated, unlabelled, seal + white cap	E2850
Evacuated, unlabelled, seal + white cap	E2851
Non-evacuated, labelled, seal + white cap	E2852
Evacuated, labelled, seal + white cap	E2853
<b>12ml Borosilicate Vial - round bottomed, 101 x 15.5mm</b>	
<b>Pack of 1000</b>	
Non-evacuated, unlabelled, seal + white cap	E2860
Evacuated, unlabelled, seal + white cap	E2861
Non-evacuated, labelled, seal + white cap	E2862
Evacuated, labelled, seal + white cap	E2863
<b>12ml Soda Glass Vial - flat bottomed, 101 x 15.5mm</b>	
<b>Silicone coated for C<sup>13</sup> Breath Testing, Pack of 1000</b>	
Non-evacuated, unlabelled, seal + white cap	E2870
Evacuated, unlabelled, seal + white cap	E2871
Non-evacuated, labelled, seal + white cap	E2872
Evacuated, labelled, seal + white cap	E2873
<b>12ml Borosilicate Vial - round bottomed, 104 x 15.5mm</b>	
<b>Pack of 1000</b>	
<b>The new thread profile on this Exetainer® gives a very tight screw fit, and is designed to avoid any cap movement when samples are heated - eg. on a GasBench.</b>	
Non-evacuated, unlabelled, seal + white cap	E2880
Evacuated, unlabelled, seal + white cap	E2881
Non-evacuated, labelled, seal + white cap	E2882
Evacuated, labelled, seal + white cap	E2883

Caps are available in a variety of colours, also replacement caps and seals - please enquire for details.

Exetainer® is a registered trademark of Labco Ltd.



# LITERATURE REQUEST FAXBACK FORM

For full details of all the products we supply for your instrument please copy this page and fax it back to us.

**+44 (0)1837 54544** or your local dealer:

Please tick to request the relevant literature.

## Micro/CHN(OS) Instruments

- ThermoFinnigan **Flash EA™ 1112 CHNOS**
- ThermoFinnigan **Flash EA™ 1112 NC/S**
- ThermoFinnigan **(Carlo Erba/Fison) EA1110**
- ThermoFinnigan **(Carlo Erba/Fison) EA1108**
- ThermoFinnigan **(Carlo Erba/Fison) EA1106**
- ThermoFinnigan **(Carlo Erba/Fison) EA1102/1104**
- ThermoFinnigan **(Carlo Erba/Fison) NA2500 N/NC/NCS**
- ThermoFinnigan **(Carlo Erba/Fison) NA1500 (Series 1&2)**

- Perkin Elmer **2400**
- Perkin Elmer **240 Series ABC**
- Perkin Elmer **440**
- Perkin Elmer **2410**

- Exeter Analytical **(CEC) CE440**
- Exeter Analytical **(CEC) 240**

- Europa **Roboprep**
- Europa **Anca**
- Europa **Integra**

- Elementar **(Foss Heraeus) Vario EL**
- Elementar **(Foss Heraeus) CHN Rapid**

- EuroVector **EA3000**

- Leco® **CHN-900**
- Leco® **CHN-932**
- Leco® **CHN-1000**
- Leco® **CHN-2000**
- Leco® **CHN-600**
- Leco® **CHN-800**
- Leco® **Truspec CHN/CN**

- Costech **ECS 4010**

## Catalogues

- CHNOS**
- Inorganic**
- Carbon/Sulphur**
- Nitrogen/Protein**
  
- Contract Analysis Service**

Name

Organisation

Address

Tel

Fax

E-mail



“the centre of excellence in elemental analysis”



**Elemental Microanalysis Ltd**

Hameldown Road

Okehampton Business Park

Exeter Road

Okehampton

Devon EX20 1UB

United Kingdom

**Tel:** +44 (0)1837 54446

**Fax:** +44 (0)1837 54544

**E-mail:** [info@microanalysis.co.uk](mailto:info@microanalysis.co.uk)

[www.microanalysis.co.uk](http://www.microanalysis.co.uk)